

ATTACHMENT
LIST

Pacific Home

ATTACHMENT
LIST

HOMELIFE SERIES

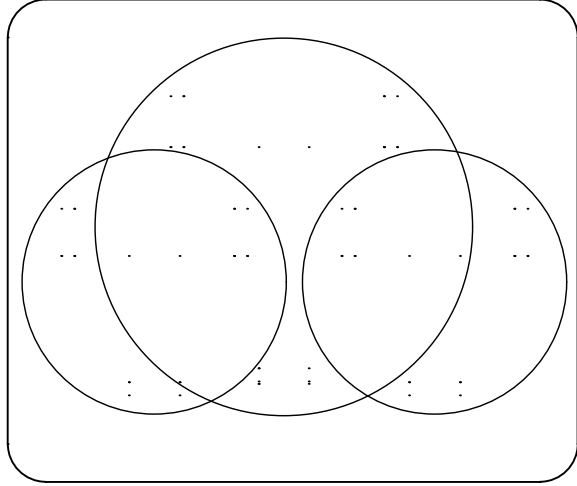
HOMELIFE COFFE TABLE

PRODUCT CODE;



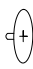
32 TRZ-HOMELIFE 0005-

PACKING CODE:

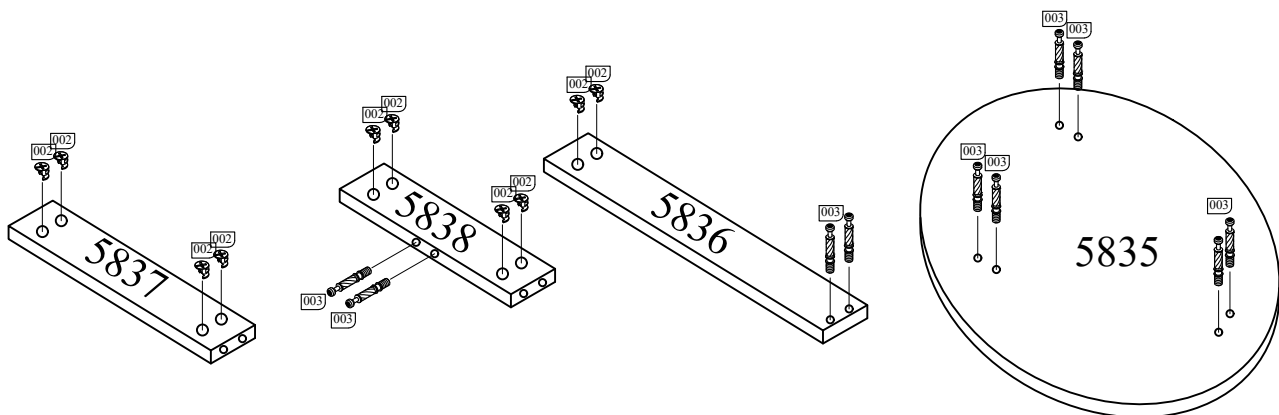
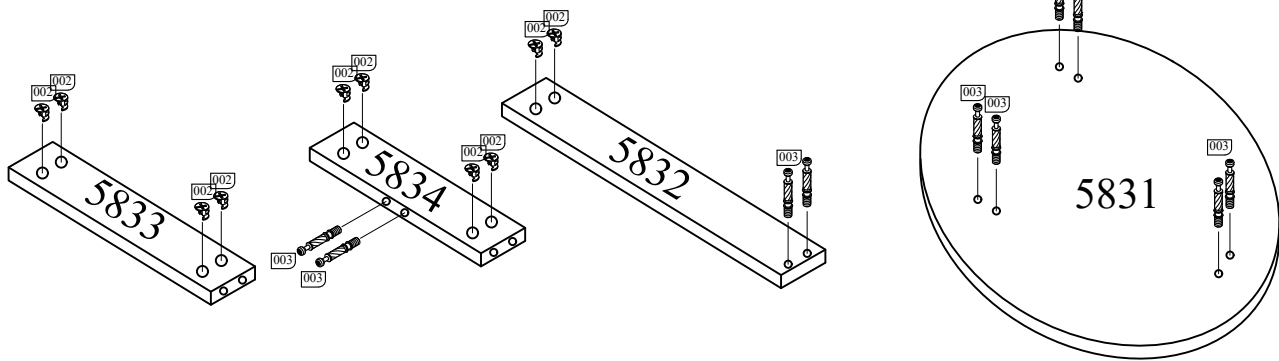
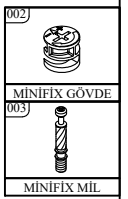
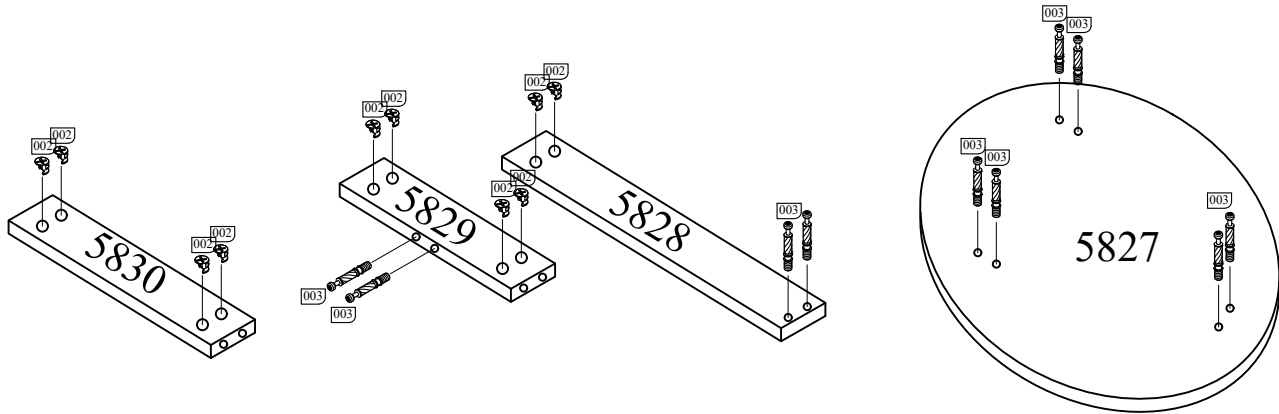
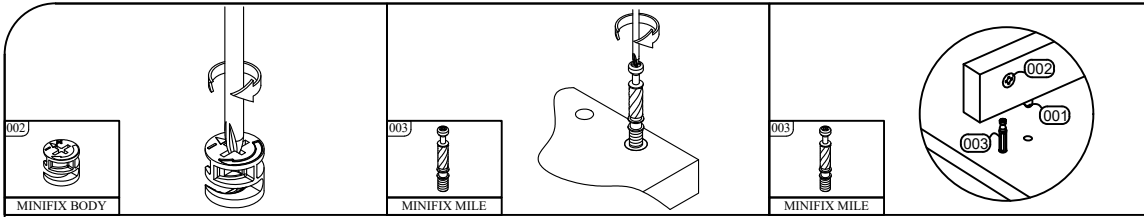
1. ST-HOMELIFE ZİGON SEHPA 1-(1)



ATTACHMENTS

NAME	MINIFIX BODY	MINIFIX MILE	MINIFIX TAPA			
SHAPE	002 	003 	006 			
TOTAL	42	42	42			
NAME						
SHAPE						
TOTAL						
NAME						
SHAPE						
TOTAL						
NAME						
SHAPE						
TOTAL						
NAME						
SHAPE						
TOTAL						

HOMELIFE COFFE TABLE



HOMELIFE COFFE TABLE

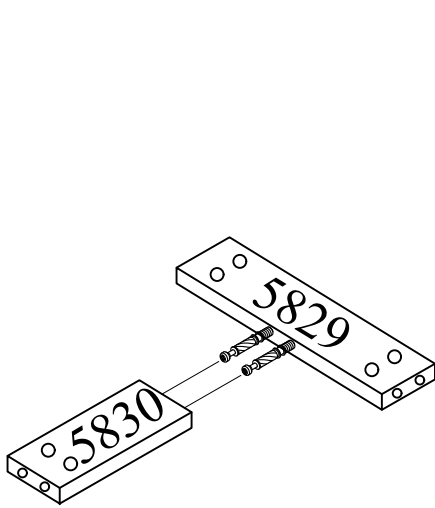
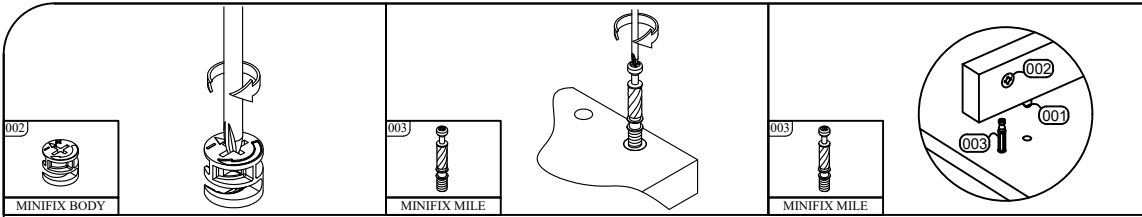


DIAGRAM 1

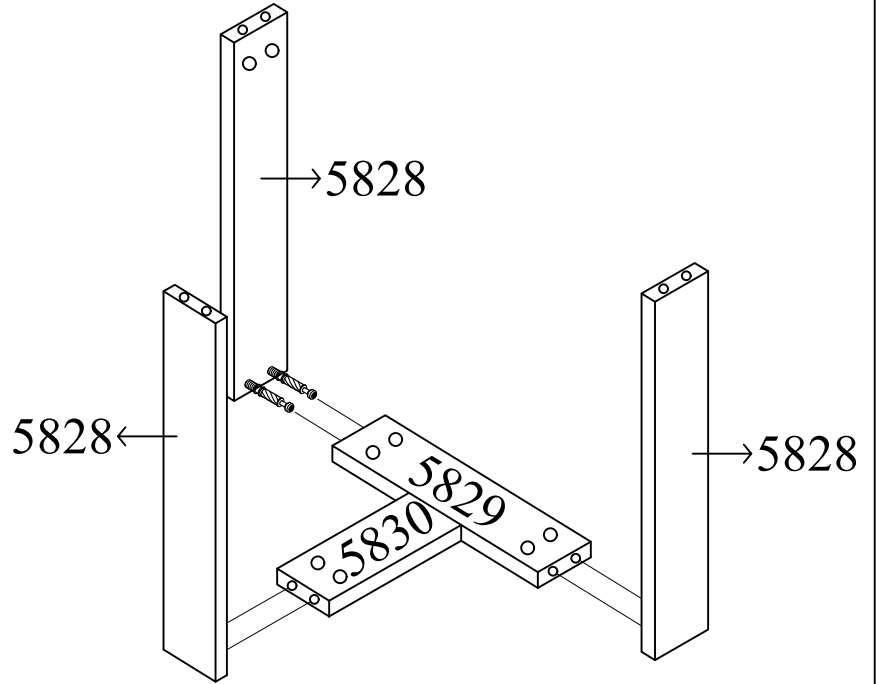


DIAGRAM 2

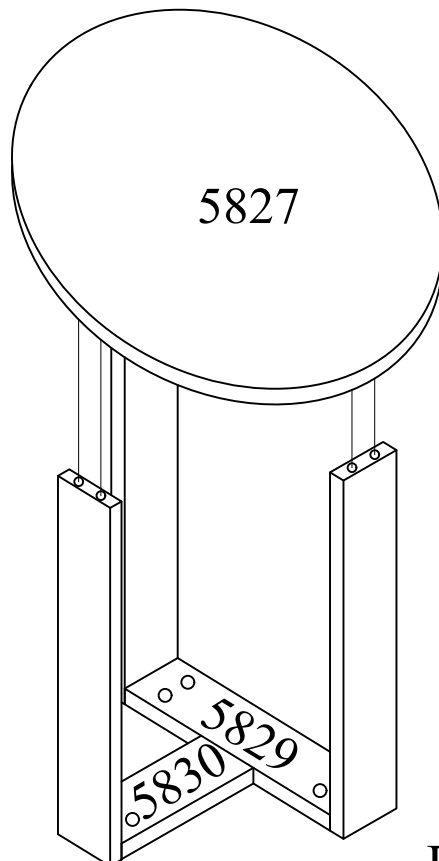


DIAGRAM 3